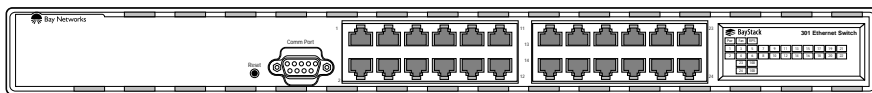


# Bay Networks Hot Sheet

## BayStack 301 Desktop Ethernet Switch



### Hot Buttons

- **Affordability:** Cost-effective — use wherever bandwidth is an issue.
- **Integration:** Member of the complete, high-performance BayStack™ product family.
- **Performance:** Dedicated 10 Mbps per port greatly increases performance.
- **Reliability:** Redundant power supply and SNMP management ensure uninterrupted performance.
- **Simplicity:** Easy to install, configure, and manage.

### Bay Networks Versus the Competition

#### 3Com's LinkSwitch

- LinkSwitch 1000 isn't a true segment switch.
- Supporting only 500 MAC addresses on 24 ports, the LinkSwitch 1000 isn't scalable. Medium-sized networks still need a router.
- LinkSwitch 1000 only has one big pipe as standard — you have to buy the second one!
- No support for Spanning Tree means you can't build fault-tolerant configurations.

#### Cisco Catalyst 1700/2800

- Catalyst 1700 only supports one MAC address per port, so you can't use it with existing hubs.
- With support for only 1,024 MAC addresses over 25 ports, the Catalyst 2800 can't beat the BayStack 301's huge 10,240 address capacity.
- Configured with two 100BASE-TX big pipes, the Catalyst 2800 is almost twice as expensive as the BayStack 301!

#### Cabletron FastNet 10-24

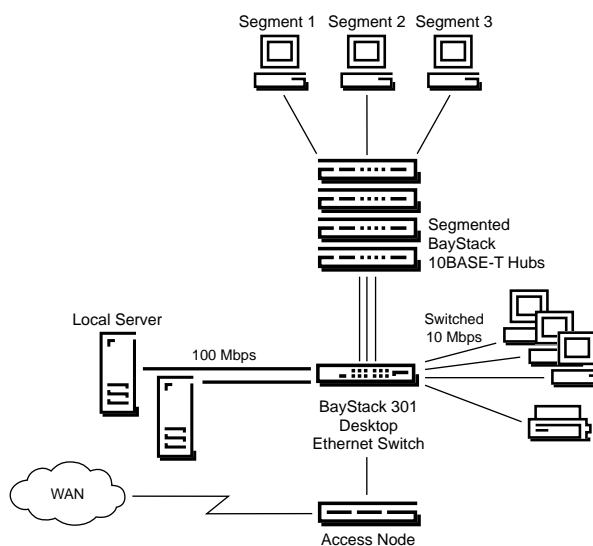
- Just a renamed SMC TigerSwitch with two big pipes.
- Almost three times as expensive as the BayStack 301 when configured with two 100BASE-TX big pipes.

### Six Red Hot Reasons to Choose Bay Networks

- **Performance Enhancement:** Desktop switching with the BayStack 301 dramatically improves performance.
- **Two 100 Mbps Big Pipes:** Two 100BASE-TX ports offer perfect "big pipe" connections to backbones or servers.
- **Easy Installation:** Plug-and-play; self-learning addresses.
- **Interoperability:** Fully integrated with routers, 10BASE-T hubs, 100BASE-T hubs, and network management — all within the BayStack product family.
- **Network Management:** Manageable with all other Bay Networks switches, hubs, and routers through Optivity®, the industry's leading management system.
- **Market Leadership:** Bay Networks is the intelligent hub market share leader, with more than 25 million nodes installed worldwide — well ahead of the competition.

### Improve Performance with the BayStack 301 Switch

High-speed server connections and plenty of ports make the BayStack 301 Desktop Ethernet Switch the perfect choice for workgroup performance enhancement.



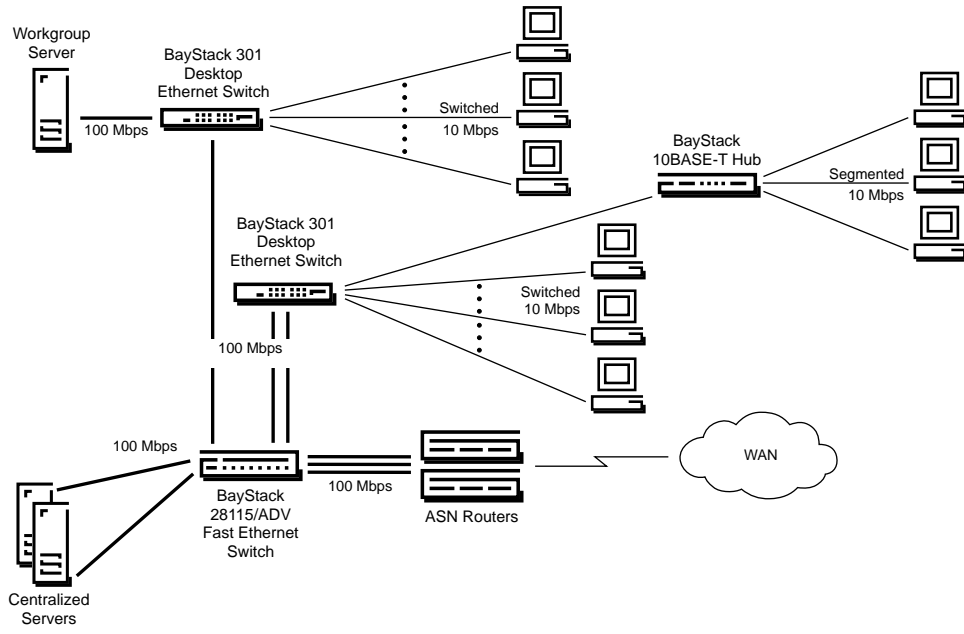
# Bay Networks Hot Sheet

## Ordering Information

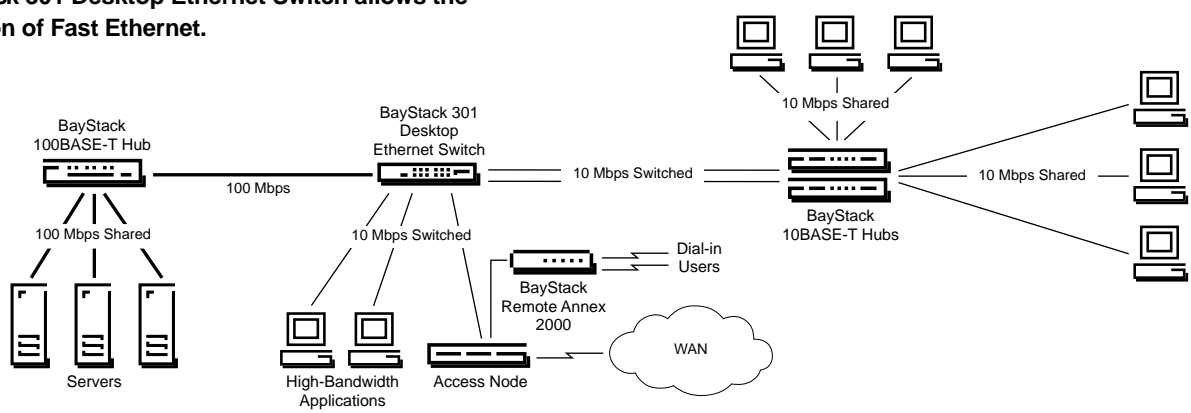
Order Number	Description
CW2001001	BayStack 301 Desktop Ethernet Switch with 22 10BASE-T Ports and two 100BASE-T Ports
AA0006001	Redundant Power Supply Unit

## Typical Applications

**Desktop switching with the BayStack 301 Desktop Ethernet Switch greatly improves network performance. Power workgroups and high-bandwidth users get dedicated 10 Mbps connections, while servers and backbone links get 100 Mbps "big pipe" connections.**



**The BayStack 301 Desktop Ethernet Switch allows the easy addition of Fast Ethernet.**



BayStack Ethernet Switches Data Sheet: DA510-2540WC-B

For more information:  
Visit Bay Networks World Wide Web page at <http://www.baynetworks.com>

Bay Networks, the Bay Networks logo, People connect with us, and BayStack and the BayStack logo are trademarks, and Optivity is a registered trademark of Bay Networks, Inc. All other brand and product names are trademarks or registered trademarks of their respective holders.



Call your Bay Networks sales representative or ask your local reseller for Bay Networks products.